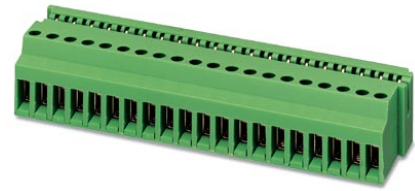


## SKBD 20/MT

Order No.: 2202631

<http://eshop.phoenixcontact.de/phoenix/treeViewClick.do?UID=2202631>

Plug-in card block, with all components mounted, but without guide rails or end brackets, pitch: 5.0 mm, no. of positions: 20

### Commercial data

EAN	4017918053376
Pack	10 Pcs.
Customs tariff	85369010
Weight/Piece	0.05963 KG
Catalog page information	Page 263 (CC-2002)

### Product notes

WEEE/RoHS-compliant since:  
01/01/2003



<http://www.download.phoenixcontact.com>  
Please note that the data given here has been taken from the online catalog. For comprehensive information and data, please refer to the user documentation. The General Terms and Conditions of Use apply to Internet downloads.

### Technical data

#### Dimensions / positions

Length	23.6 mm
Height	18.4 mm
Pitch	5 mm
Number of positions	20
Screw thread	M 3
Tightening torque, min	0.5 Nm

#### Technical data

Connection in acc. with standard	EN-VDE
Nominal current $I_N$	5 A (applies to gold-plated contacts of the PCB)

Nominal voltage $U_N$	400 V
Stripping length	8 mm

**Connection data**

Conductor cross section solid min.	0.2 mm <sup>2</sup>
Conductor cross section solid max.	2.5 mm <sup>2</sup>
Conductor cross section stranded min.	0.2 mm <sup>2</sup>
Conductor cross section stranded max.	1.5 mm <sup>2</sup>
Conductor cross section AWG/kcmil min.	24
Conductor cross section AWG/kcmil max	14

**Certificates / Approvals**

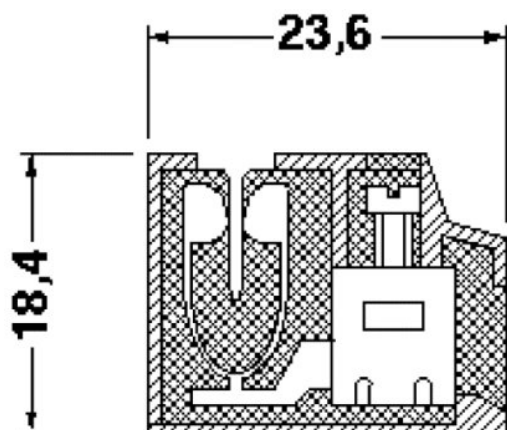
Approval logo

**UL**

Nominal voltage $U_N$	300 V
Nominal current $I_N$	10 A
AWG/kcmil	30-14
Certification	GOST, UL

**Drawings**

Dimensioned drawing



**Address**

PHOENIX CONTACT Inc., USA  
586 Fulling Mill Road  
Middletown, PA 17057, USA  
Phone (800) 888-7388  
Fax (717) 944-1625  
<http://www.phoenixcon.com>



© 2008 Phoenix Contact  
Technical modifications reserved;